

© International Baccalaureate Organization 2022

All rights reserved. No part of this product may be reproduced in any form or by any electronic or mechanical means, including information storage and retrieval systems, without the prior written permission from the IB. Additionally, the license tied with this product prohibits use of any selected files or extracts from this product. Use by third parties, including but not limited to publishers, private teachers, tutoring or study services, preparatory schools, vendors operating curriculum mapping services or teacher resource digital platforms and app developers, whether fee-covered or not, is prohibited and is a criminal offense.

More information on how to request written permission in the form of a license can be obtained from <https://ibo.org/become-an-ib-school/ib-publishing/licensing/applying-for-a-license/>.

© Organisation du Baccalauréat International 2022

Tous droits réservés. Aucune partie de ce produit ne peut être reproduite sous quelque forme ni par quelque moyen que ce soit, électronique ou mécanique, y compris des systèmes de stockage et de récupération d'informations, sans l'autorisation écrite préalable de l'IB. De plus, la licence associée à ce produit interdit toute utilisation de tout fichier ou extrait sélectionné dans ce produit. L'utilisation par des tiers, y compris, sans toutefois s'y limiter, des éditeurs, des professeurs particuliers, des services de tutorat ou d'aide aux études, des établissements de préparation à l'enseignement supérieur, des fournisseurs de services de planification des programmes d'études, des gestionnaires de plateformes pédagogiques en ligne, et des développeurs d'applications, moyennant paiement ou non, est interdite et constitue une infraction pénale.

Pour plus d'informations sur la procédure à suivre pour obtenir une autorisation écrite sous la forme d'une licence, rendez-vous à l'adresse <https://ibo.org/become-an-ib-school/ib-publishing/licensing/applying-for-a-license/>.

© Organización del Bachillerato Internacional, 2022

Todos los derechos reservados. No se podrá reproducir ninguna parte de este producto de ninguna forma ni por ningún medio electrónico o mecánico, incluidos los sistemas de almacenamiento y recuperación de información, sin la previa autorización por escrito del IB. Además, la licencia vinculada a este producto prohíbe el uso de todo archivo o fragmento seleccionado de este producto. El uso por parte de terceros —lo que incluye, a título enunciativo, editoriales, profesores particulares, servicios de apoyo académico o ayuda para el estudio, colegios preparatorios, desarrolladores de aplicaciones y entidades que presten servicios de planificación curricular u ofrezcan recursos para docentes mediante plataformas digitales—, ya sea incluido en tasas o no, está prohibido y constituye un delito.

En este enlace encontrará más información sobre cómo solicitar una autorización por escrito en forma de licencia: <https://ibo.org/become-an-ib-school/ib-publishing/licensing/applying-for-a-license/>.

Computer science
Standard level
Paper 1

Thursday 5 May 2022 (afternoon)

1 hour 30 minutes

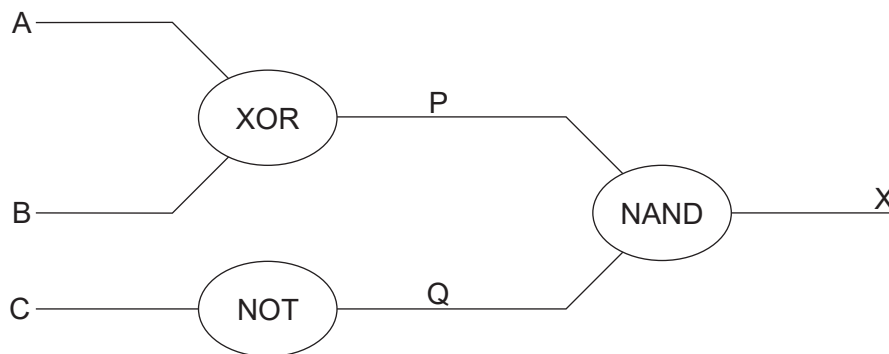
Instructions to candidates

- Do not open this examination paper until instructed to do so.
- Section A: answer all questions.
- Section B: answer all questions.
- The maximum mark for this examination paper is **[70 marks]**.

Section A

Answer **all** questions

- 1. State **two** compatibility issues that may arise when international businesses merge. [2]
- 2. Outline **one** reason why accurate user documentation is necessary for a system. [2]
- 3. Identify **two** differences between a wide area network (WAN) and a local area network (LAN). [2]
- 4. Outline the reason for compression when transmitting data. [2]
- 5. Outline the need for a translation process from high level language to machine code. [2]
- 6. Draw the truth table for the following logic circuit. [4]



- 7. Calculate, showing your working in each case:
 - (a) the binary (base 2) value of the denary (base 10) number: 105 [2]
 - (b) the hexadecimal (base 16) value of the denary (base 10) number: 200 [2]
- 8. Identify **one** function of a single-user operating system. [1]
- 9. Define the term *usability*. [1]
- 10. Outline **one** reason for the use of standards in the construction of networks. [2]
- 11. Explain how cache memory affects system performance. [3]

Section B

Answer **all** questions

12. A business’s computer system needs to be updated.

- (a) (i) Identify **one** stakeholder to be considered when planning the new system. [1]
- (ii) Outline **one** consequence of not including all stakeholders in the design of the new system. [2]
- (b) Describe **two** appropriate techniques to gather the information needed to find a suitable solution for the updated system. [4]
- (c) Outline **one** reason testing should take place at every stage of the development process. [2]

The new system is now ready for implementation.

- (d) Evaluate **two** methods the business could use to implement the new system. Include the benefits and drawbacks of each. [6]

13. A teacher would like a simple program to store the names, marks and grades of students in a set of three parallel one-dimensional arrays called `NAME []`, `MARK []` and `GRADE []`.

The grade boundaries for the individual grades are shown below:

Mark	Grade
80 and above	Distinction
60 and above	Merit
40 and above	Pass
Below 40	Fail

The class has 30 students.

- (a) Identify **two** components in a conditional statement. [2]
- (b) Construct an algorithm using pseudocode to take the marks that have been stored in `MARK []`, convert them into the appropriate grade and store the calculated grades in `GRADE []`. [5]
- (c) Outline how the name, mark and grade in the three arrays correspond to the same student. [2]
- (d) Construct an algorithm using pseudocode to output the names and grades of all students who achieve a grade of Merit or Distinction. [3]
- (e) Explain how you would change your algorithm in **part (d)** to allow a user to choose a grade and output the names and marks of the students who have achieved this grade. [3]

Turn over

14. The array DATA_ARR[] is a one-dimensional array of 12 integers.

[0]	[1]	[2]	[3]	[4]	[5]	[6]	[7]	[8]	[9]	[10]	[11]
27	29	36	39	40	42	45	50	58	60	61	68

Algorithm 1 represents a method of searching the array DATA_ARR[] to see if it contains a specific value.

Algorithm 1

```

input TO_FIND
LIMIT = 11
LOC = FALSE
ITERATE = 0
loop while not LOC and ITERATE <= LIMIT
  if DATA_ARR[ITERATE] = TO_FIND then
    LOC = TRUE
  end if
  ITERATE = ITERATE + 1
end loop
if LOC then
  output TO_FIND, "is in the array"
else
  output TO_FIND, "is NOT in the array"
end if

```

(a) Copy and complete the trace table for **Algorithm 1** using TO_FIND = 39.

The first value of the first row has been done for you.

[4]

TO_FIND	LOC	ITERATE	DATA_ARR [ITERATE]	Output
39				

(b) State the constant used in **Algorithm 1**.

[1]

(This question continues on the following page)

(Question 14 continued)

Algorithm 2 represents an alternative method of searching the array DATA_ARR[] to see if it contains a specific value.

Algorithm 2

```

input TO_FIND
LOC = FALSE
LOW_LIM = 0
UP_LIM = 11
loop while LOW_LIM <= UP_LIM and LOC = FALSE
  MID_VAL = (LOW_LIM + UP_LIM) div 2
  if DATA_ARR[MID_VAL] = TO_FIND then
    LOC = TRUE
  else
    if TO_FIND < DATA_ARR[MID_VAL] then
      UP_LIM = MID_VAL - 1
    else
      LOW_LIM = MID_VAL + 1
    end if
  end if
end loop
if LOC = TRUE then
  output TO_FIND, "is in the array"
else
  output TO_FIND, "is NOT in the array"
end if

```

(c) Copy and complete the trace table for Algorithm 2 using TO_FIND = 50.

The first two values of the first row have been done for you.

[4]

TO_FIND	LOC	LOW_LIM	UP_LIM	MID_VAL	DATA_ARR [MID_VAL]	Output
50	FALSE					

(d) Outline why MID_VAL could not be a constant.

[1]

(e) Evaluate the use of a sequential search and a binary search including the advantages and disadvantages of each.

[5]

References: